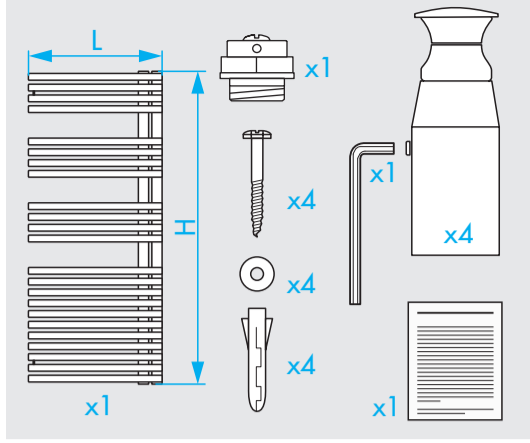
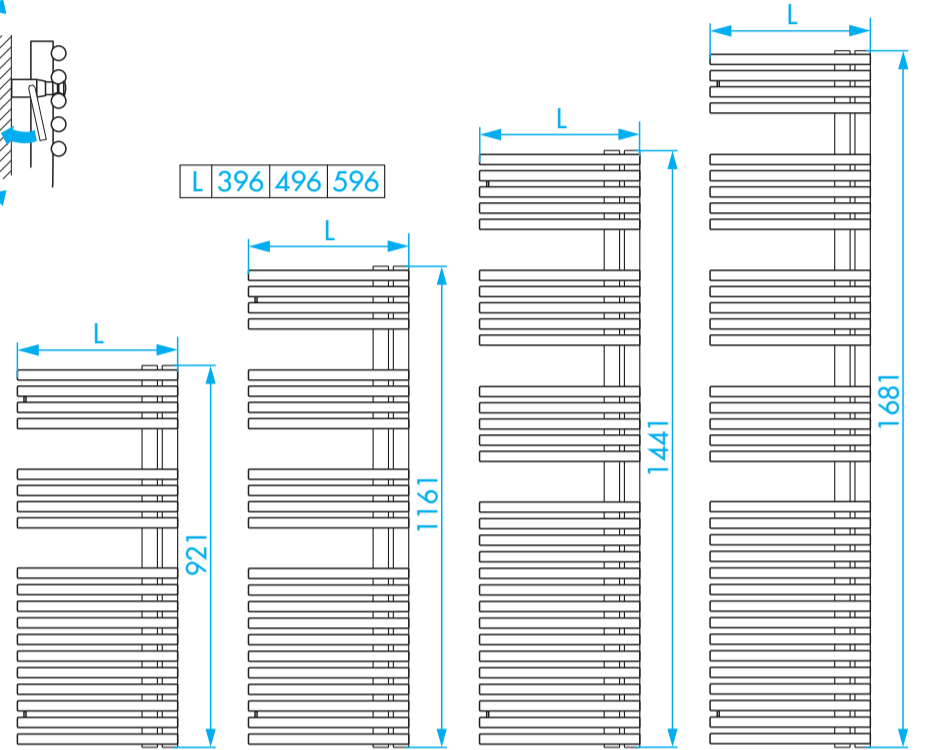
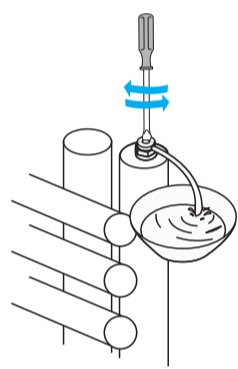
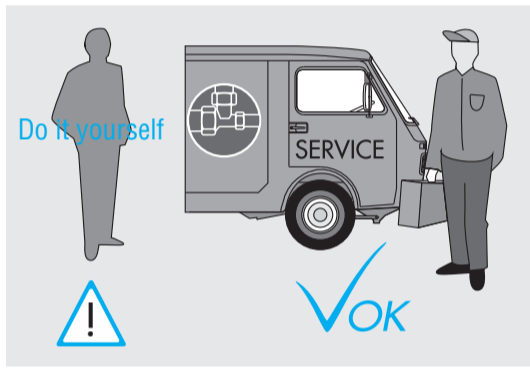
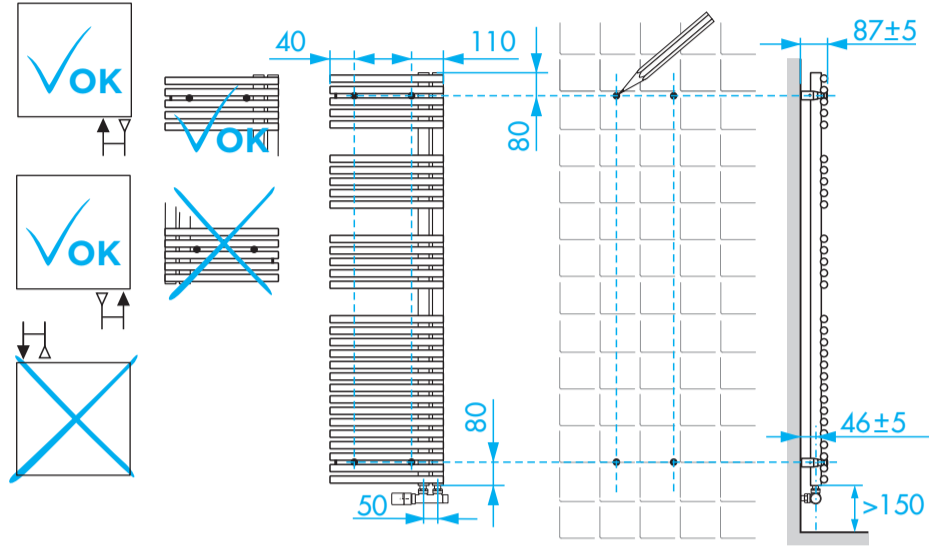
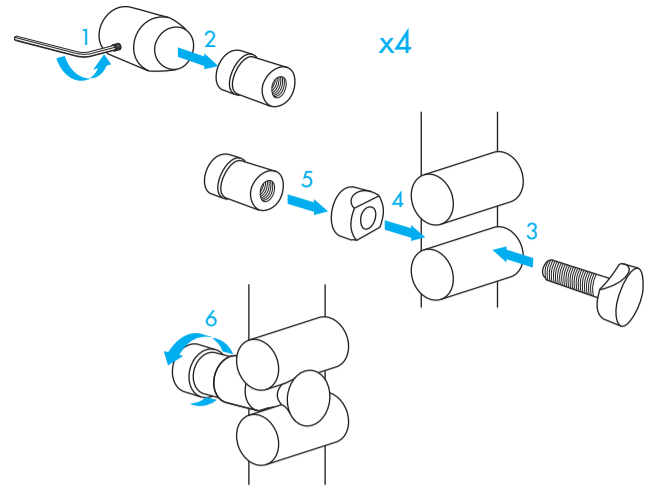
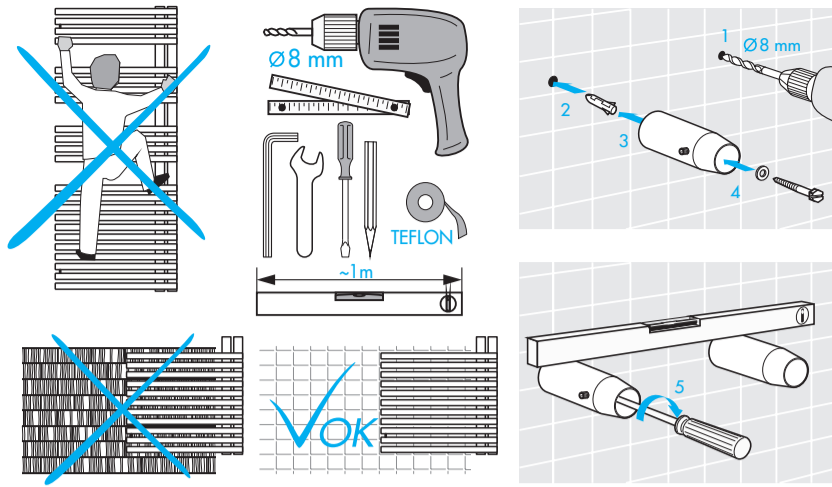


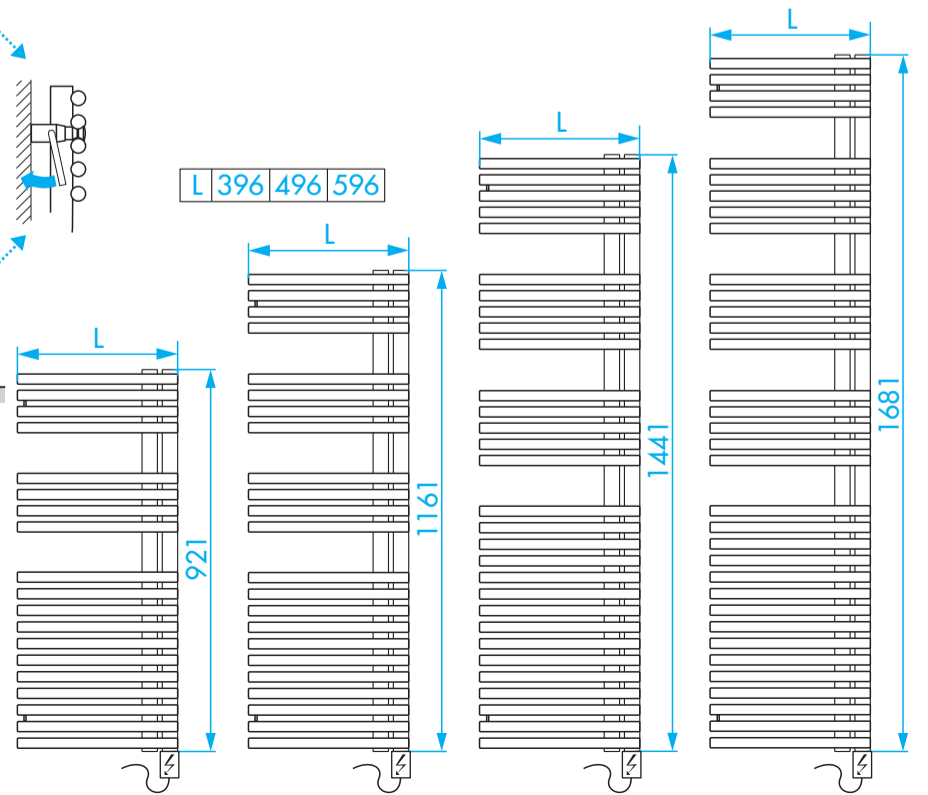
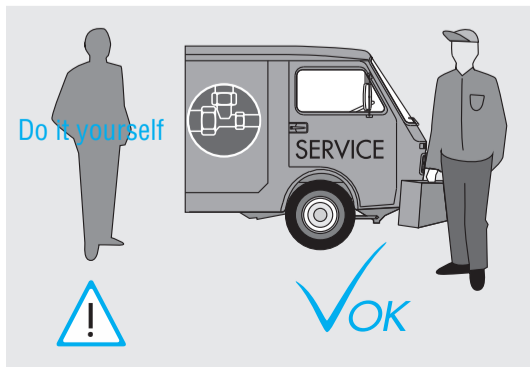
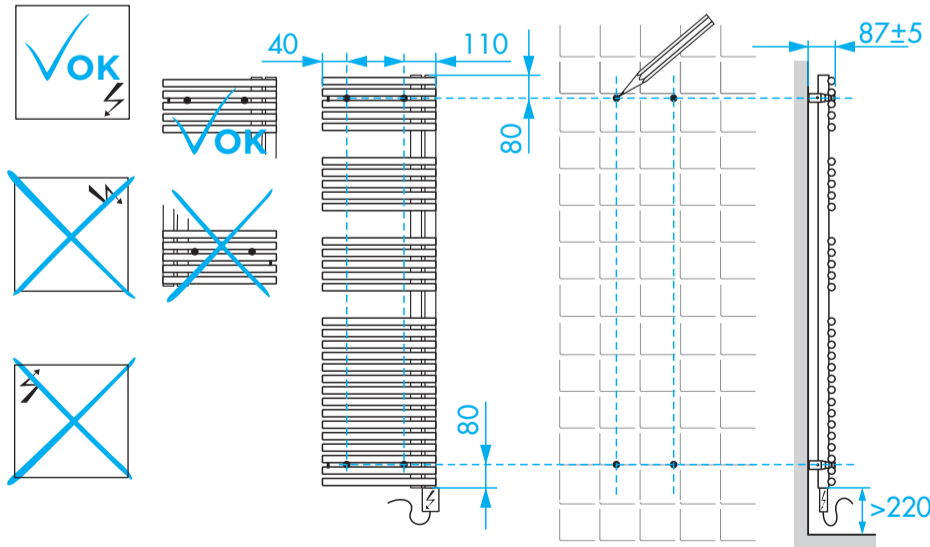
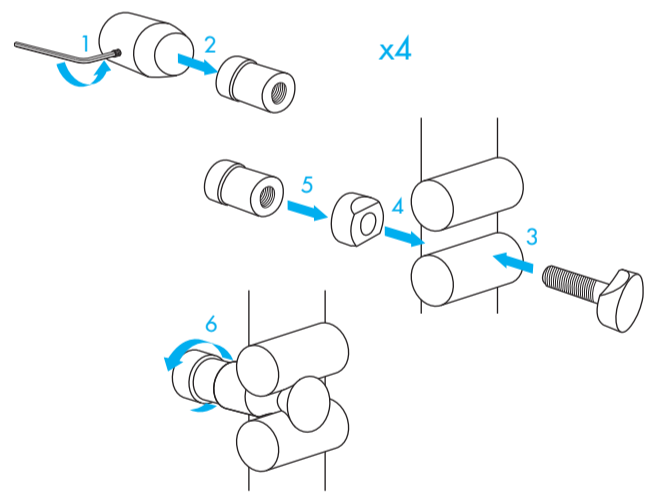
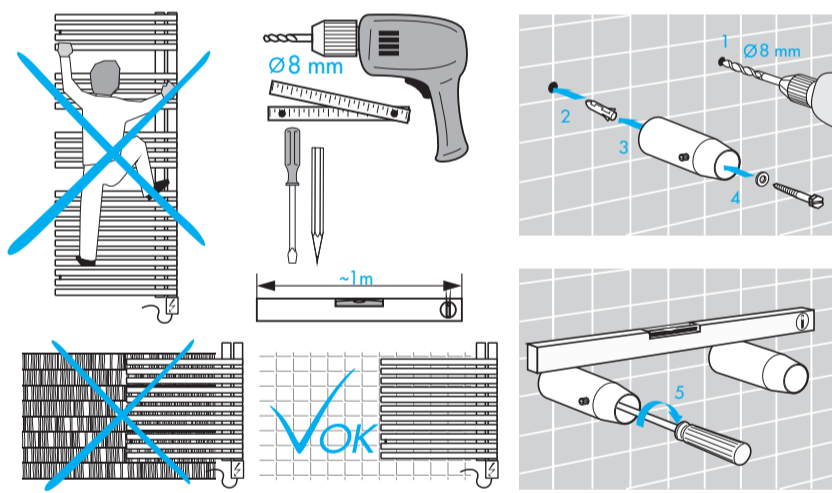
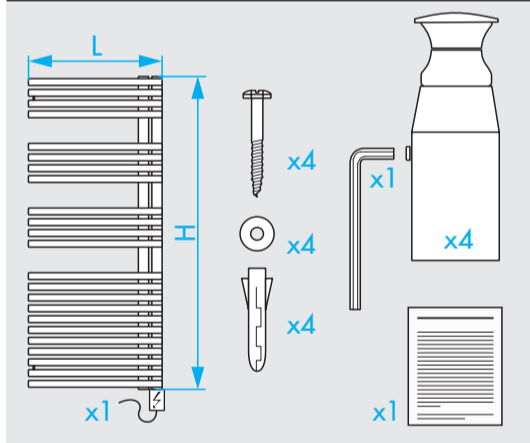
**P25-M / P25-F**



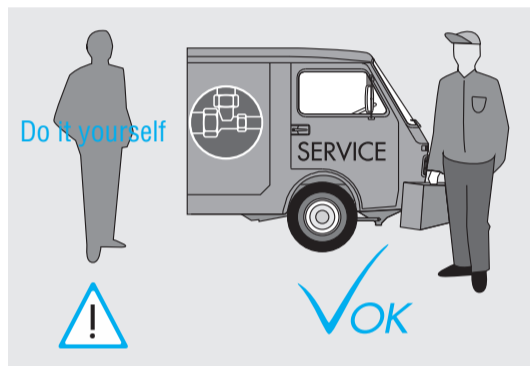
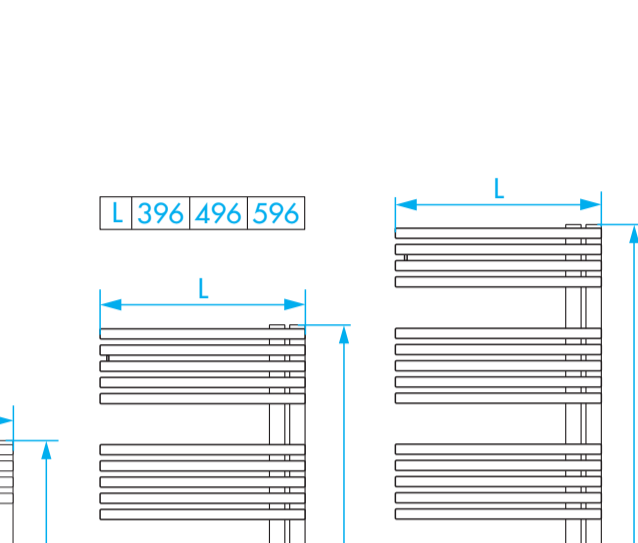
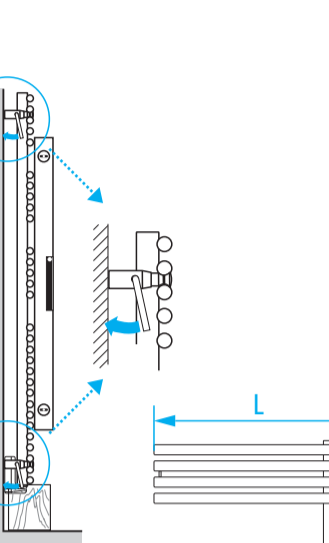
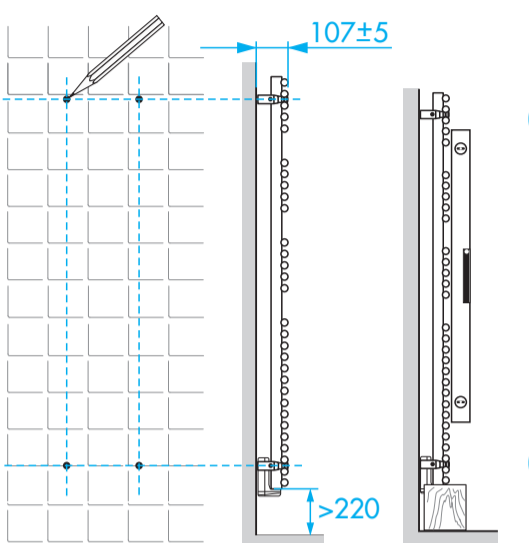
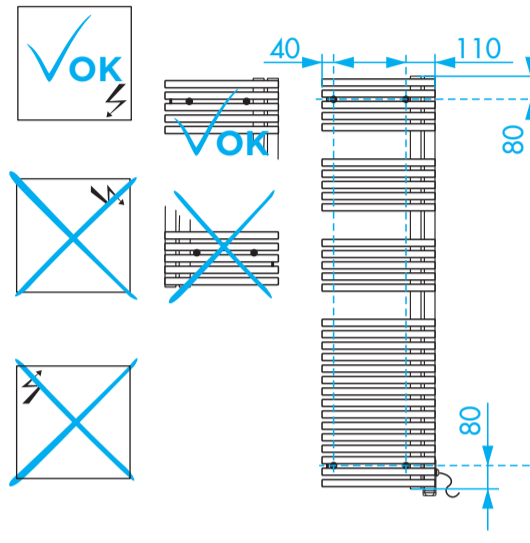
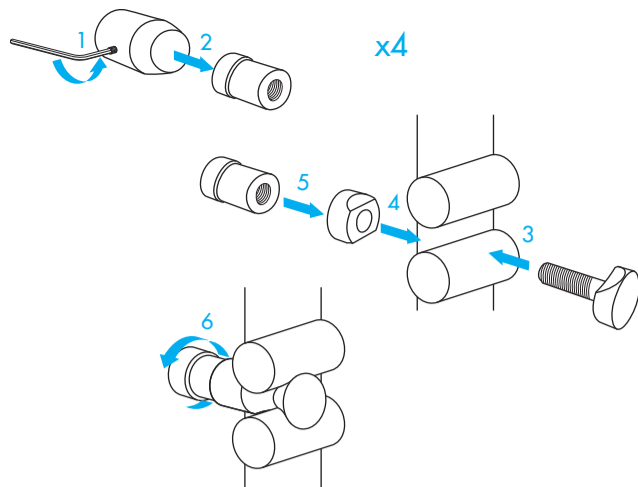
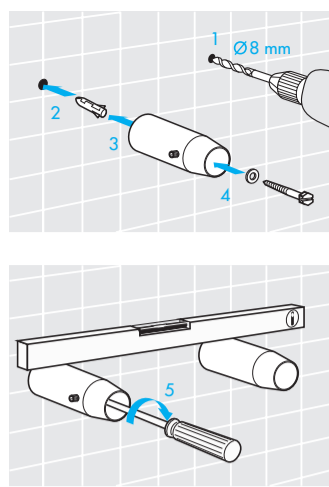
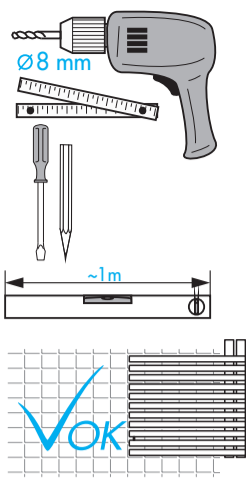
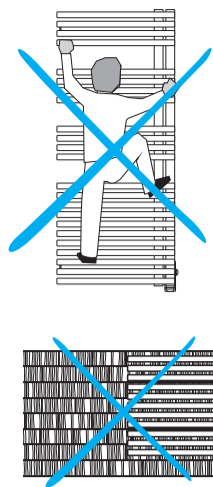
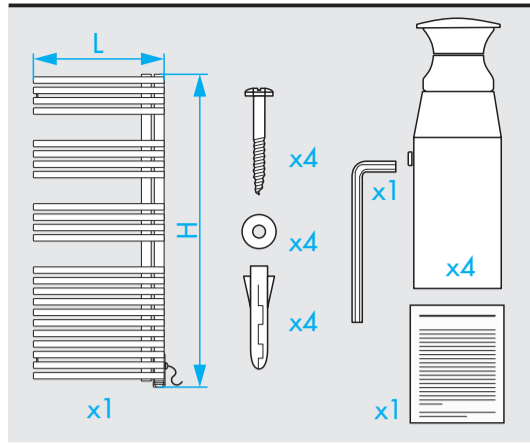
© Copyright by PBO 07/18 40004200



**P25-ME / P25-FE**



**P25-ME(R)-RF**



**P25-ME(L)-RF**

